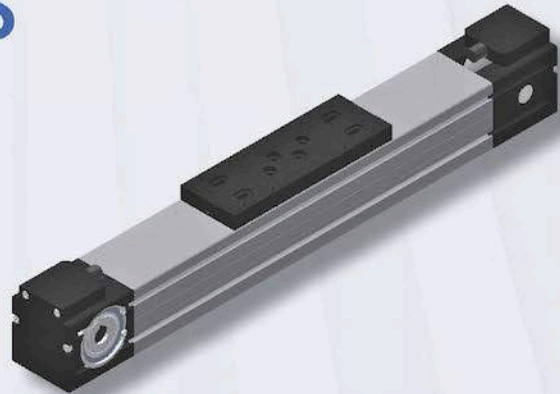


LT80S SERIES

Compact linear units with
internal wheel- or rail guide



- Internal guide units, width of the profile 80 mm
- Internal recirculating ball rail guide size -20- for heavy loads
- Carriage length 220 or 280 mm
- Toothed belt type 32 AT10
- Advanced internal lubrication system

TECHNICAL DATA

LT80S-TR-S20D

Maximum stroke length	mm	5.750
Maximum speed	mm/s	5.000
Maximum acceleration	m/s ²	50
No load torque	Nm	0,8
Repeatability	mm	± 0,1
Movement per revolution	mm	200

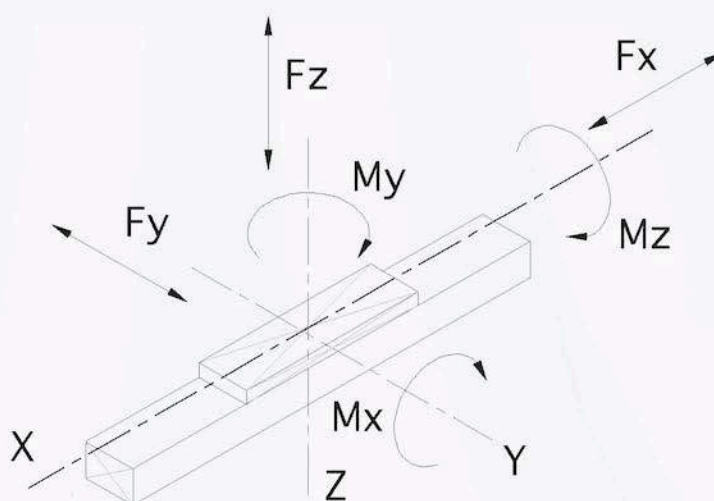
LT80S SERIES

TECHNICAL DATA

LOAD CAPACITY

LT80S-TR-S20D

Mx	Nm	720
My	Nm	960
Mz	Nm	220
Fx	N	4,400
Fy	N	7,400
Fz	N	7,400



WEIGHTS (KG)

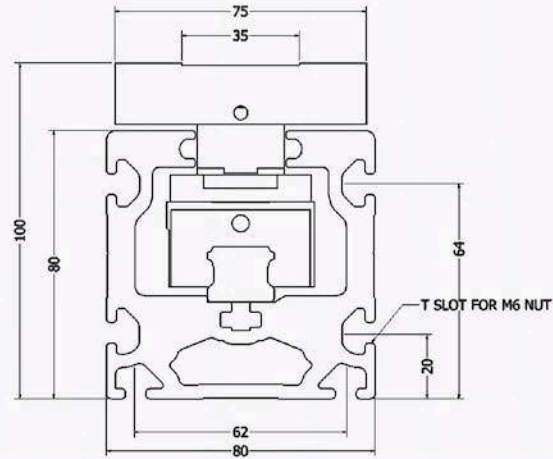
LT80S-TR-S20D-(L)

Unit weight 0 mm stroke	6,85
Weight per 100 mm stroke	0,72
Mass of carriage	2,30-2,45

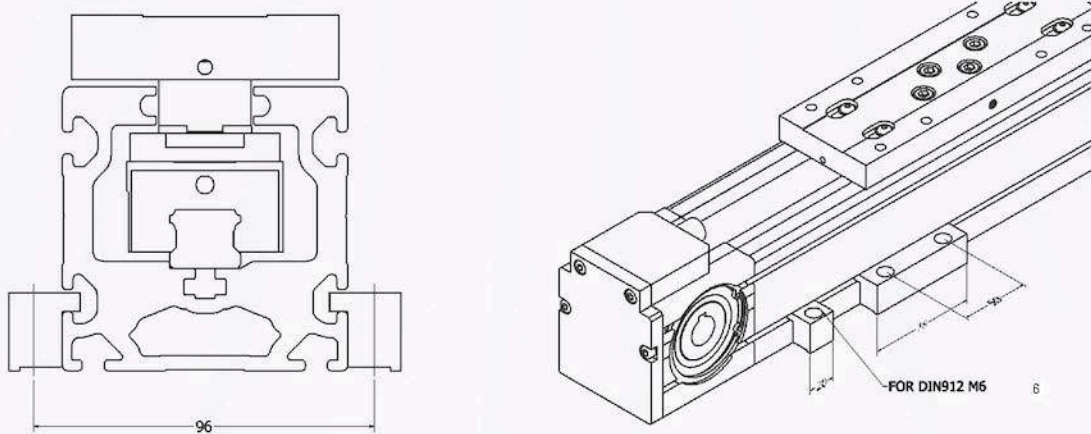
LT80S SERIES

DIMENSIONS

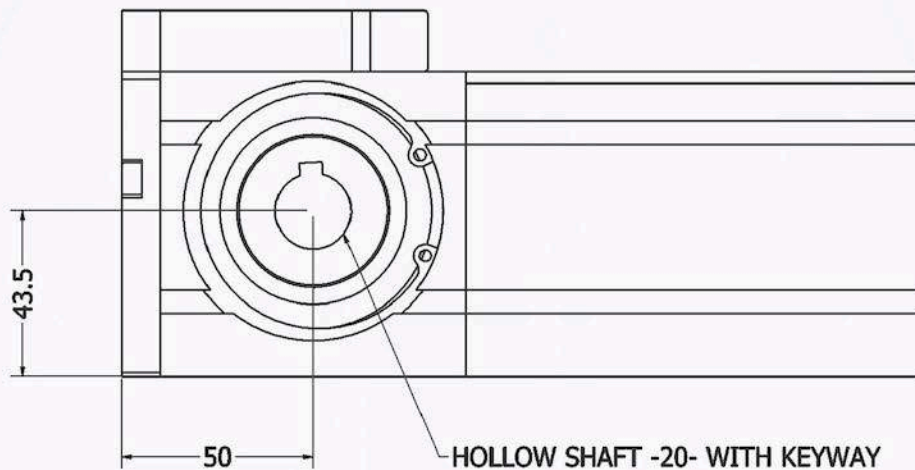
DIMENSIONS FOR MOUNTING



CLAMPING DIMENSIONS

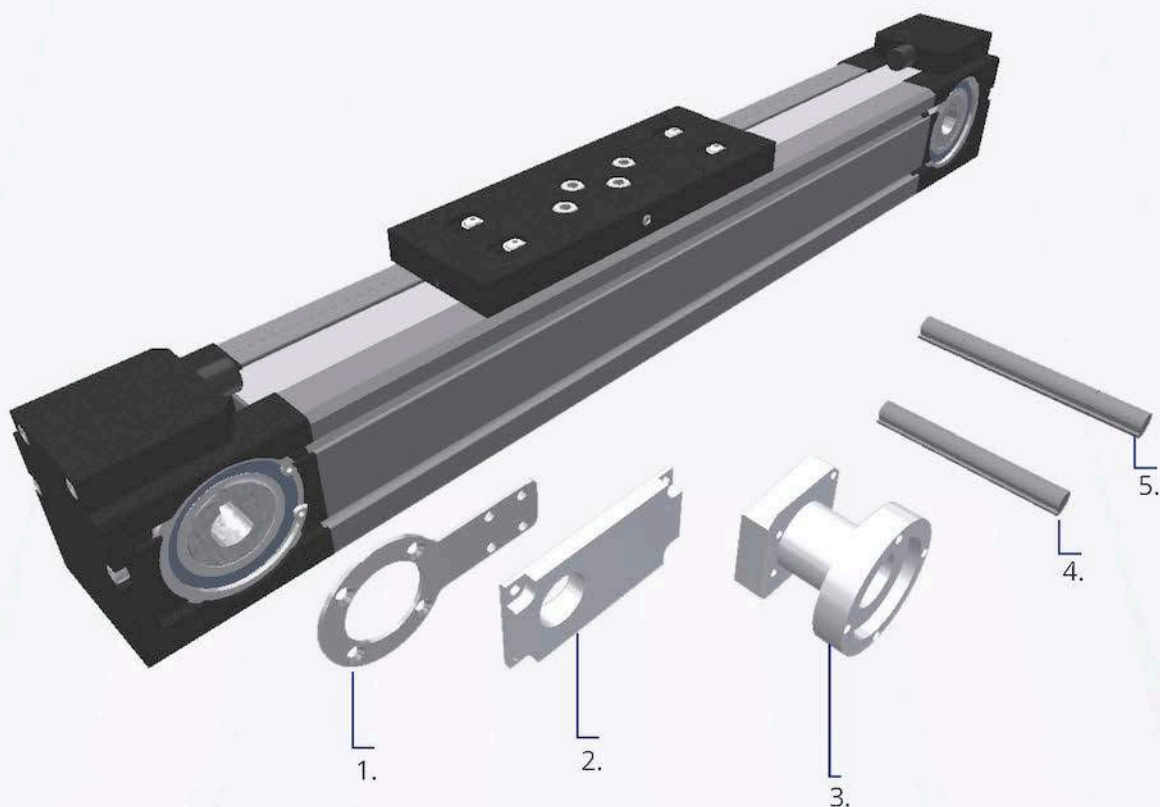


DIMENSIONS FOR MOTOR ATTACHEMENT



LT80S-TR-S20D

MOTOR ACCESSORIES



1	80S70-RA-M-XXX	Motor adapter armtype
2	80S70-F-XXX	Motor Flange
3	80S70-FL-XXX	Motor adapter
4	80S70-SS-16-GS19	Single shaft ø16
5	80S70-DS-16-GS19	Double shaft ø16

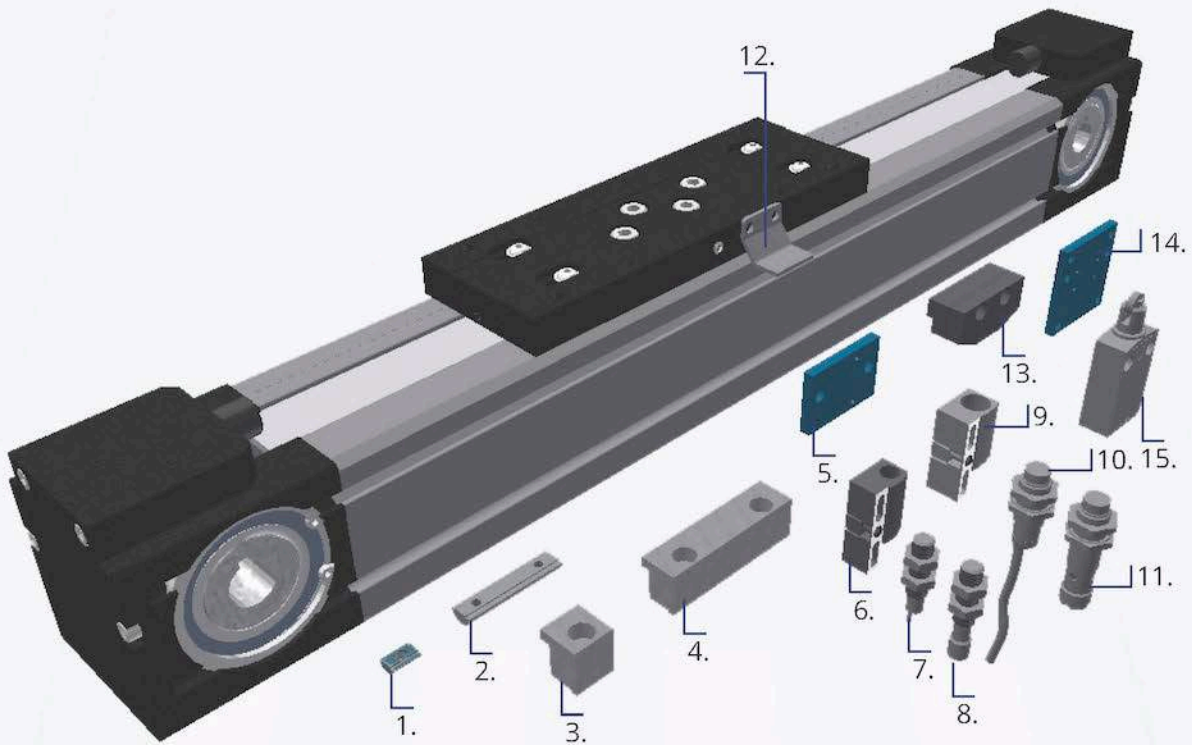
Almotion B.V. Nijverheidsweg 14 | 6662 NG Elst (Gld) | The Netherlands t +31 (0)85 0491 777 e info@almotion.nl

www.almotion.nl | www.linearmotion.nl | www.lineairegeleiding.nl

All drawings can be downloaded from www.linearmotion.nl

LT80S-TR-S20D

ACCESSORIES



1	111-028	Single Nut M6
2	172-713S	Double Nut M6 L=40
3	80S121	Clamping plate single
4	80S122	Clamping plate double
5	8070-SH-XS	Bracket for Telem. Bracket
6	XSZB108	Bracket for M8 sensor
7	XS05B1PAL2	M8 inductive sensor-cable
8	XS508B1PAM8	M8 inductive sensor-M8
9	XSZB112	Bracket for M12 sensor
10	XS212b4pal	M12 inductive sensor-cable
11	XS212b4pbm	M12 inductive sensor-M8
12	8070-DB4-IN	Sensor bracket
13	8070-SD-ME	Switch bracket
14	8070-XCMD-B	Bracket for switch
15	XCMD2102L	Switch with roll