

LT2 SERIES

Robust linear units with wheel- or rail guide



- Compact design, the width of the profile is 60 mm
- Guide system of hardened wheels on hardened shafts or recirculating rail guide, size -20-
- Toothed belt type AT10, 16 mm wide
- Double carriage design for high load
- C8 guide wheel system is very resistant to pollution
- Recirculating ball rail guide for heavy loads

TECHNICAL DATA

LT2-TR-C8

LT2-TR-D1

LT2-TR-S20

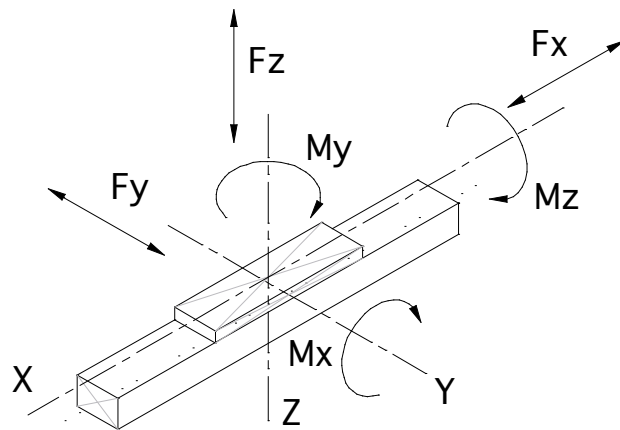
Maximum stroke*	mm	5.500	5.500	3.000
Maximum speed	mm/s	5.000	5.000	3.000
Maximum acceleration	m/s ²	50	50	30
No load torque	Nm	0,2	0,2	0,6
Max. driving torque	Nm	34	34	34
Repeatability	mm	± 0,1	± 0,1	± 0,1
Movement per revolution	mm	180	180	180

* longer lengths on request

LT2 SERIES

TECHNICAL DATA

Load capacity		LT2-TR-C8	LT2-TR-D1-C8R	LT2-TR-D1-C10	LT2-TR-S20	LT2-TR-S20D
Mx	Nm	5	40	62	165	726
My	Nm	6	82	106	310	726
Mz	Nm	7	22	26	165	330
Fx	N	2.100	2.100	2.100	2.100	2.100
Fy	N	1.000	2.400	2.600	4.500	9.000
Fz	N	1.000	2.400	2.600	4.500	9.000



MOMENT OF INERTIA (NMM²)

	LT50-TR-G8	LT50-TR-S15
Elx	2,169*10 ¹⁰	1,545*10 ¹⁰
Ely	2,230*10 ¹⁰	1,524*10 ¹⁰

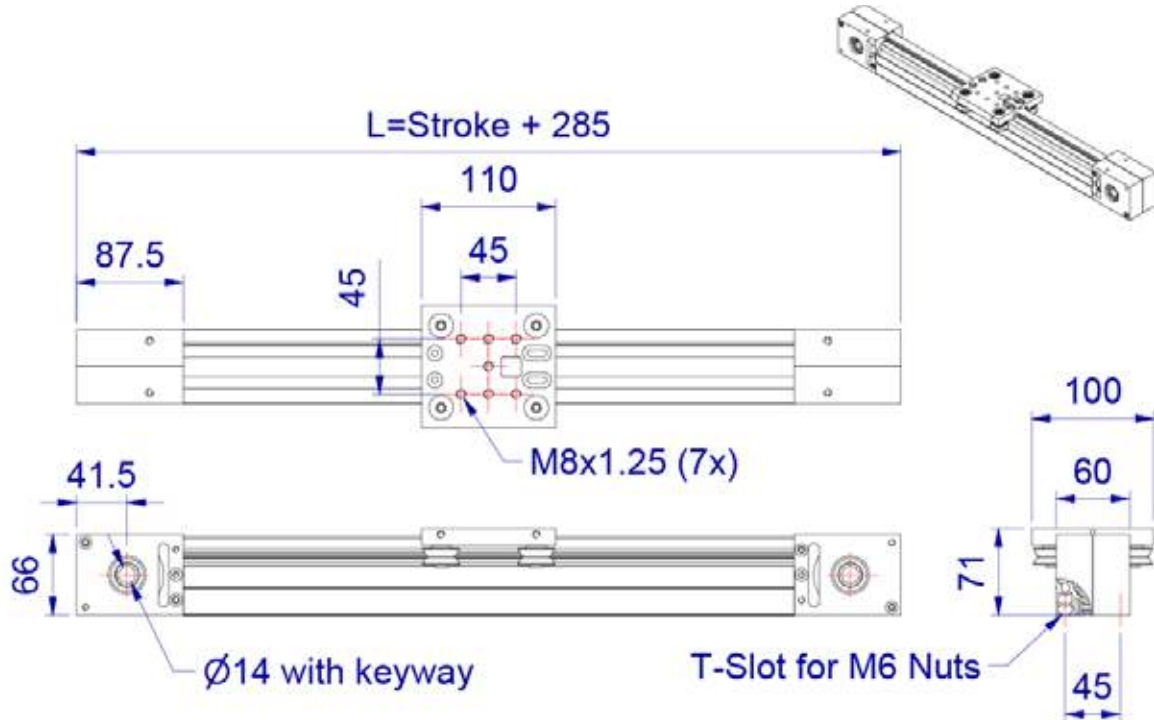
WEIGHTS (KG)

	LT2-TR-C8	LT2-TR-D1-C8R	LT2-TR-D1-C10	LT2-TR-S20	LT2-TR-S20D
Unit 0 mm stroke	4,31	4,90	5,00	4,80	5,31
Weight per 100 mm stroke	0,34	0,40	0,50	0,40	0,40
Mass of carriage	0,65	1,20	1,25	0,84	0,99

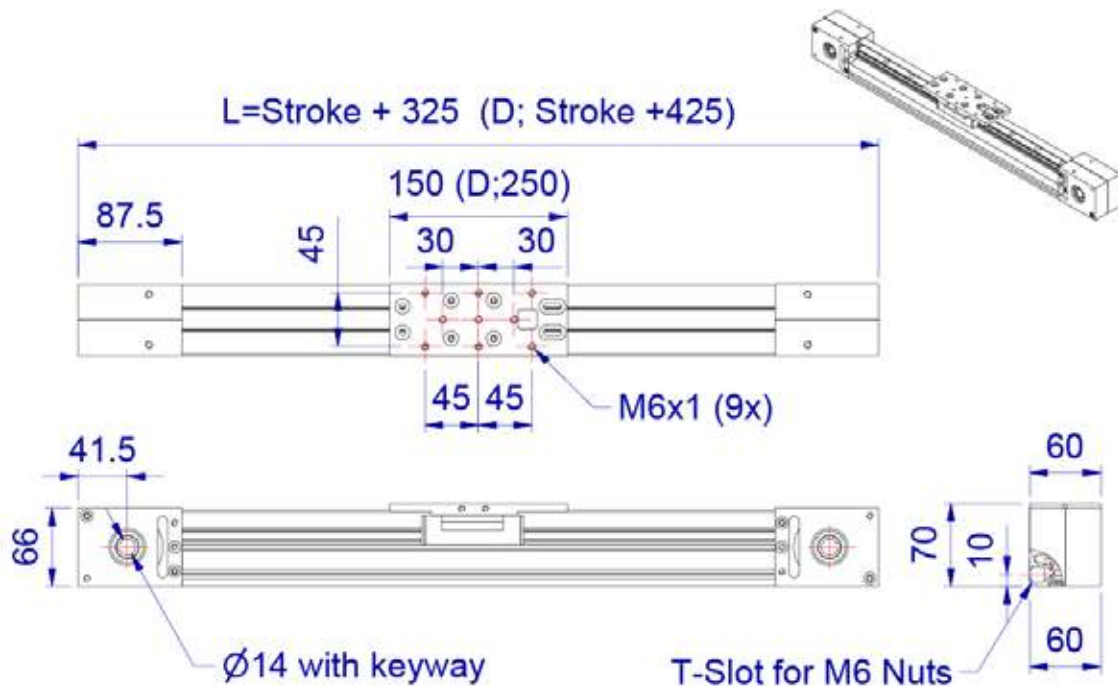
LT2 SERIES

DIMENSIONS

DIMENSIONS LT2-TR-C8



DIMENSIONS LT2-TR-S20 / LT2-TR-S20-D*

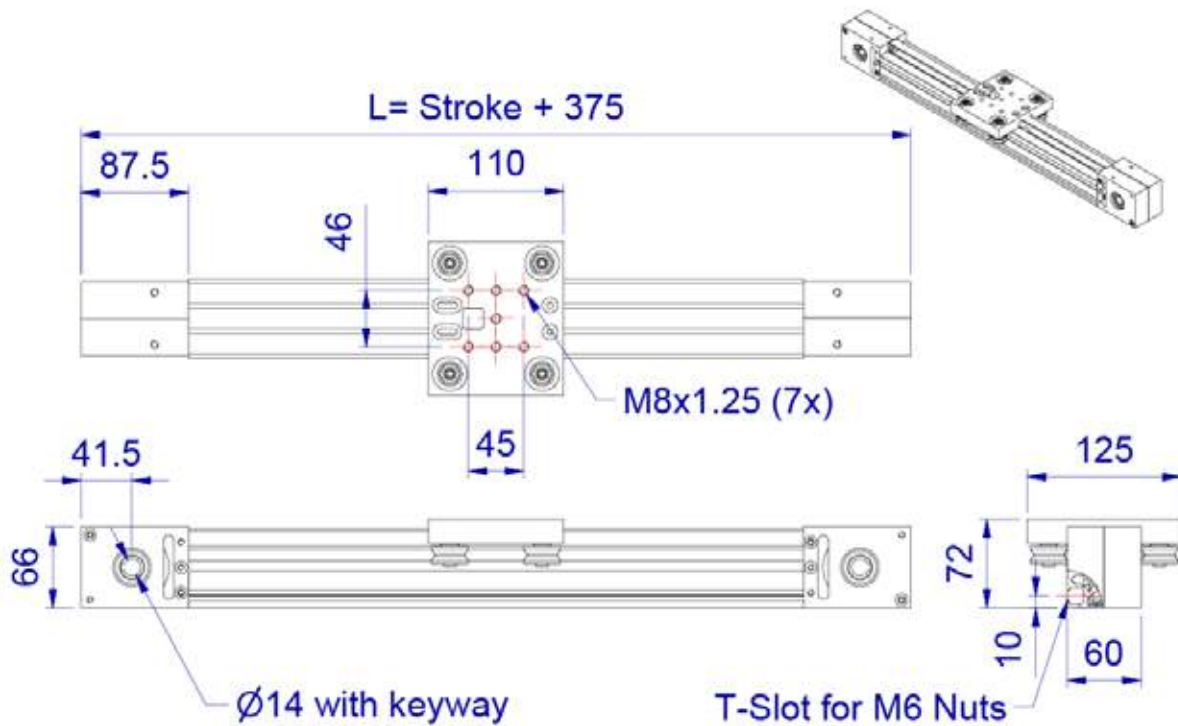


All drawings can be downloaded from www.almotion.nl

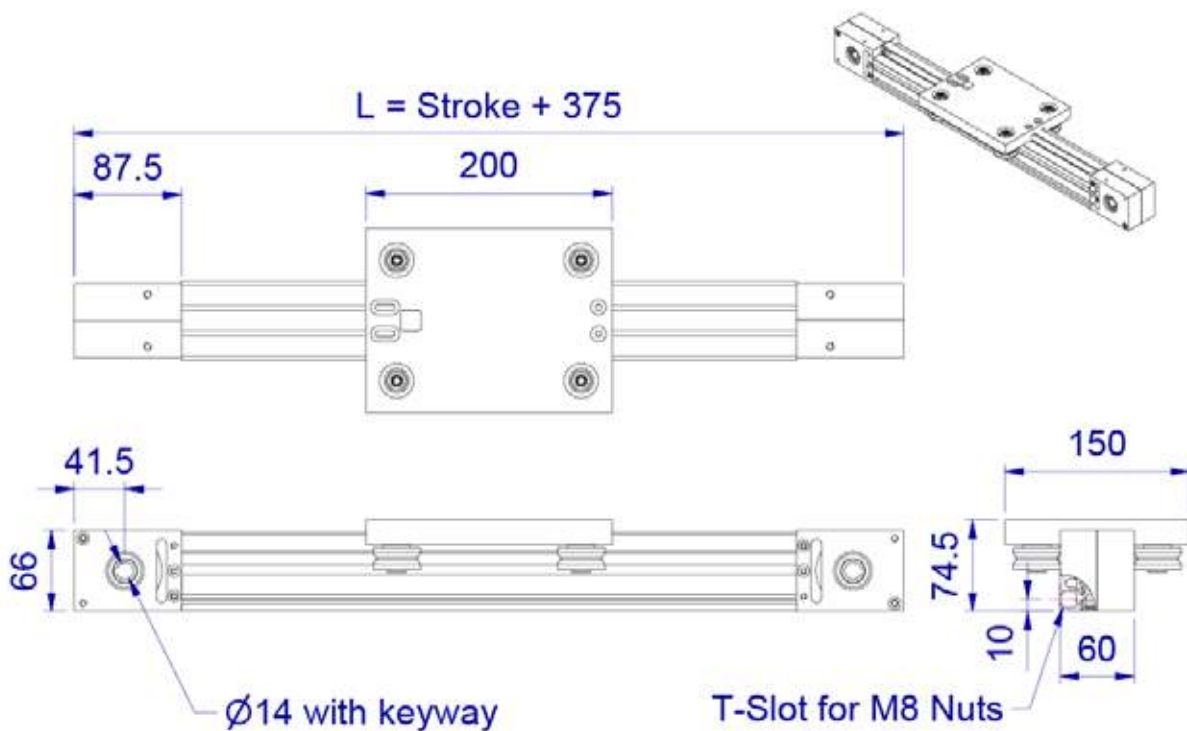
LT2 SERIES

DIMENSIONS

DIMENSIONS LT2-TR-D1-C8R

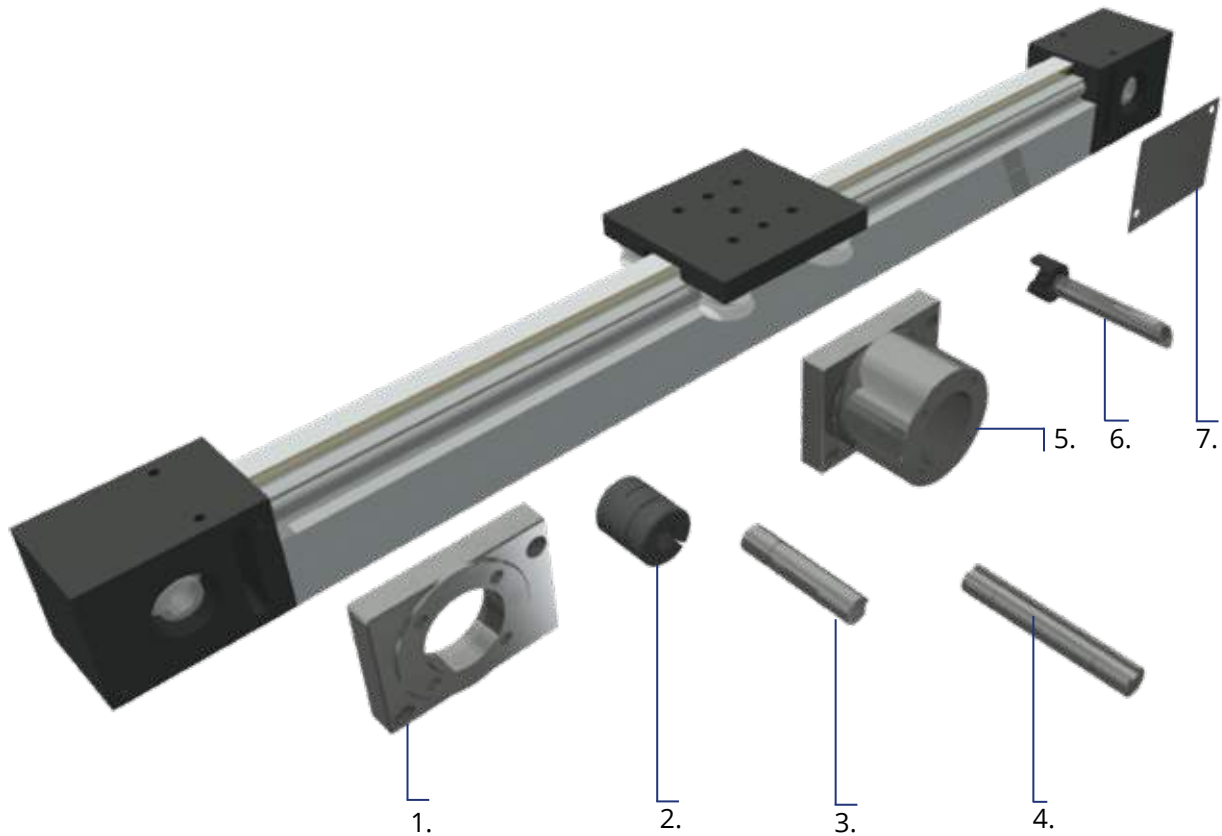


DIMENSIONS LT2-TR-D1-C10



LT2 SERIES

ACCESSOIRES

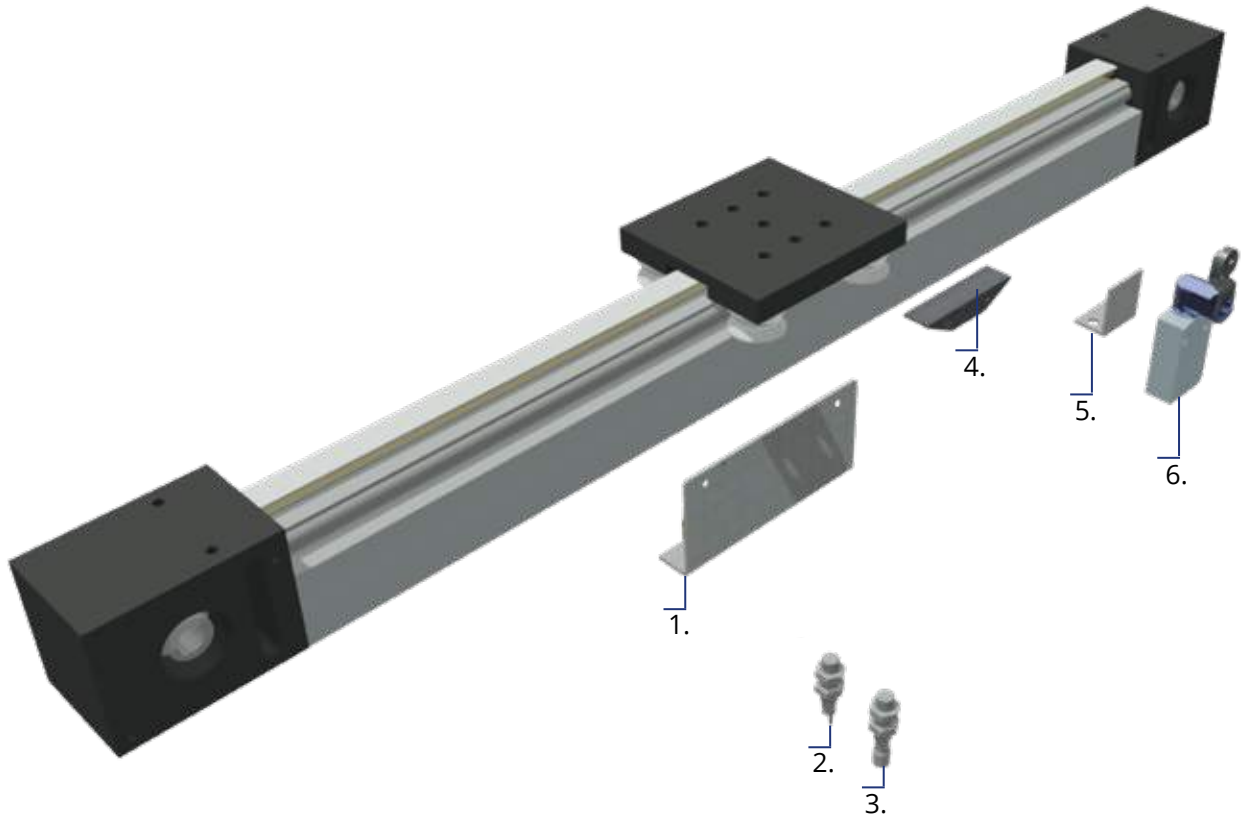


1	7070-T-XXX	Motor flange
2	Rotex GS14	Flexible coupling
3	7070-SH-14	Motor shaft 1 side
4	7070-SH-14D	Motor shaft 2 sides
5	7070-FL-XX	Motor adapter
6	7070-VA-14-XXX	Coupling shaft
7	7070-BP	Blanking cover plate

All drawings can be downloaded from www.almotion.nl

LT2-TR-C8

ACCESSORIES

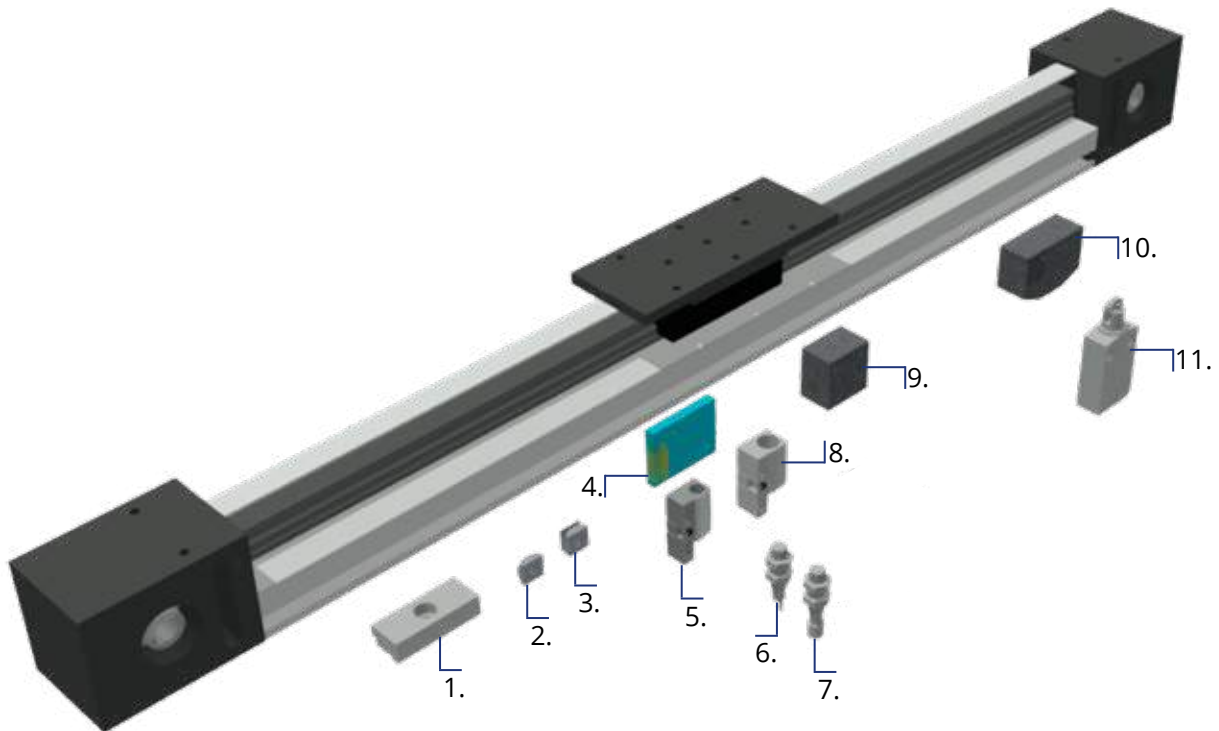


1	7070-DG8-IN	Sensor bracket
2	XS05B1PAL2	M8 inductive sensor-cable
3	XS508B1PAM8	M8 inductive sensor-M8
4	7070-SG-ME	Bracket for roll switch
5	7070-SA-SH	Bracket for switch
6	XCMD2117L1	Mechanical switch roll

All drawings can be downloaded from www.almotion.nl

LT2-TR-S20(D)

ACCESSORIES



1	70121	Clamping bracket
2	21.1347	Square nut M5
2	21.1330	Square nut M6
2	21.1351	Square nut M8
3	21.1347F	Square nut with Fix M5
3	21.1330F	Square nut with Fix M6
3	21.1351F	Square nut with Fix M8
4	7070-SH-XS	Bracket for Telem. bracket
5	XSZB108	Bracket for M8 sensor
6	XS05B1PAL2	M8 inductive sensor-cable
7	XS508B1PAM8	M8 inductive sensor-M8
8	XSZB112	Bracket for M12 sensor
9	7070-DB4-IN	Sensor bracket
10	7070-SD-ME	Switch bracket
11	XCMD2102L	Switch with roll

All drawings can be downloaded from www.almotion.nl