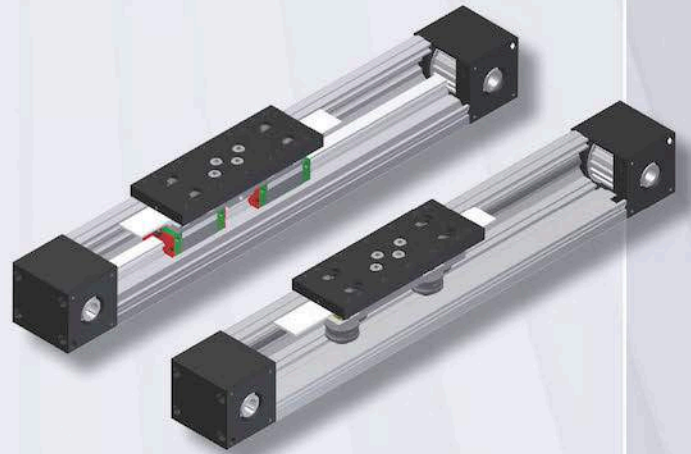


LT80 SERIES

Compact linear units with internal wheel- or rail guide



- Internal guide linear units, width of the profile 80 mm
- Hardened guide wheels on hardened shafts -10-, highly resistant to pollution
- Internal recirculating ball rail guide size -20- for heavy loads
- Magnetic switches in T-slot for position detection
- Toothed belt type 32 AT10
- Advanced internal lubrication system

TECHNICAL DATA

LT80-TR-G10

LT80-TR-S20D

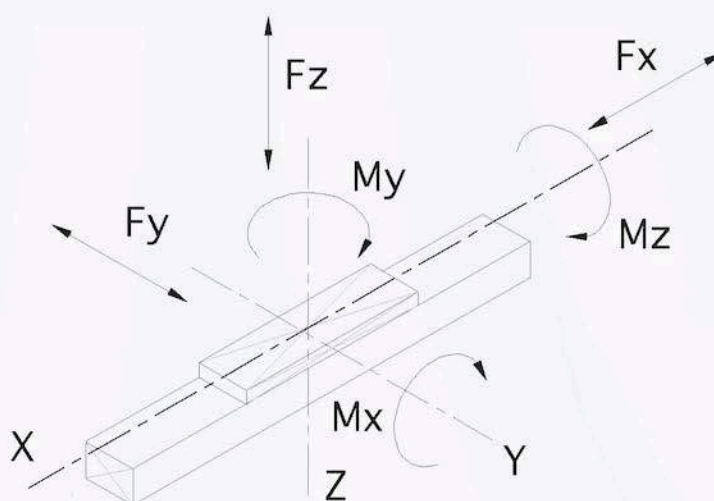
| | | | |
|-------------------------|------------------|-------|-------|
| Maximum stroke length | mm | 5.750 | 5.750 |
| Maximum speed | mm/s | 5.000 | 3.000 |
| Maximum acceleration | m/s ² | 50 | 30 |
| No load torque | Nm | 0,8 | 1,1 |
| Repeatability | mm | ± 0,1 | ± 0,1 |
| Movement per revolution | mm | 200 | 200 |

LT80 SERIES

TECHNICAL DATA

| LOAD CAPACITY | | LT80-TR-G10 | LT80-TR-S20D |
|---------------|----|-------------|--------------|
| Mx | Nm | 86 | 720 |
| My | Nm | 126 | 960 |
| Mz | Nm | 50 | 220 |
| Fx | N | 4.400 | 4.400 |
| Fy | N | 1.400 | 7.400 |
| Fz | N | 1.400 | 7.400 |

Note: G10 wheel guide also available in stainless steel.



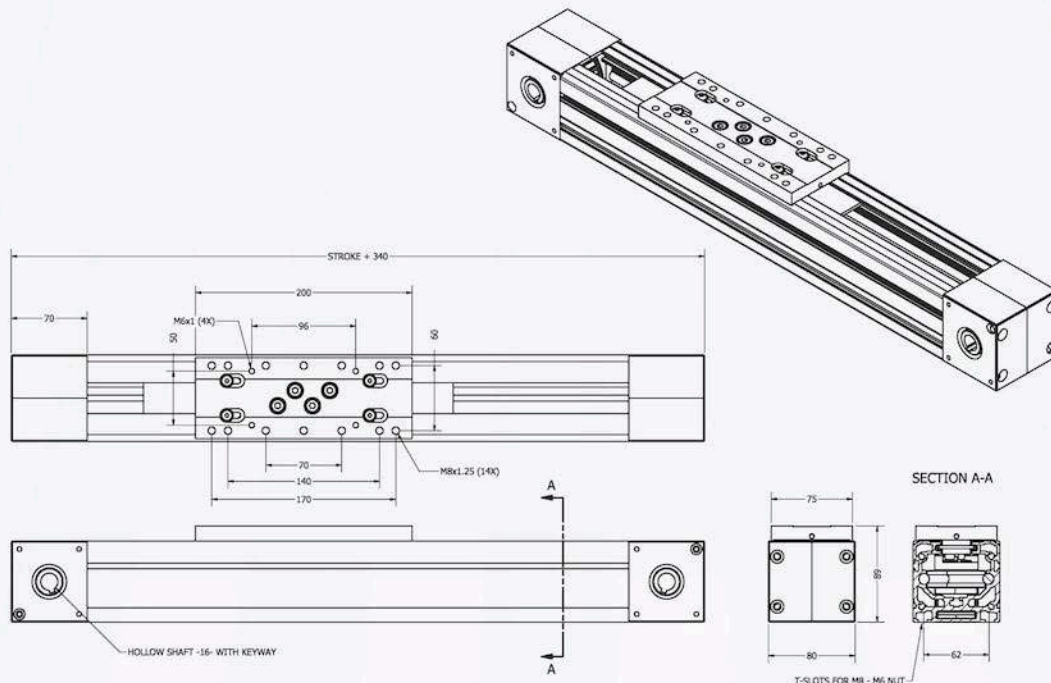
WEIGHTS (KG)

| | LT80-TR-S20D |
|--------------------------|--------------|
| Unit weight 0 mm stroke | 7,96 |
| Weight per 100 mm stroke | 0,72 |
| Mass of carriage | 2,25 |

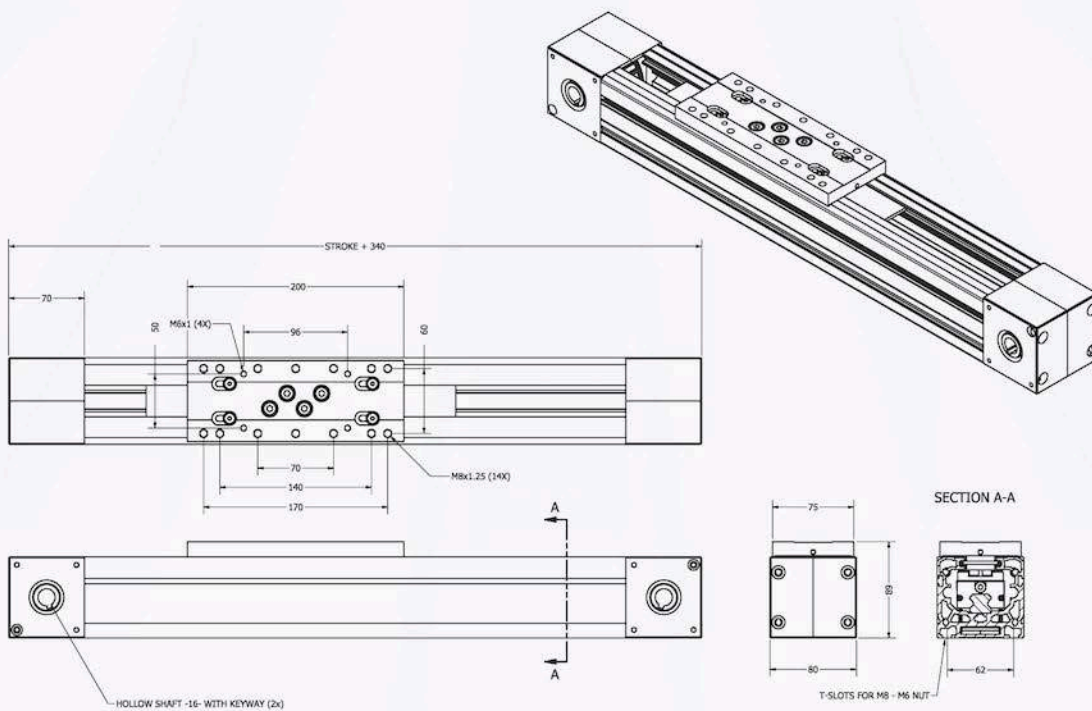
LT80 SERIES

DIMENSIONS

DIMENSIONS LT80-TR-G10



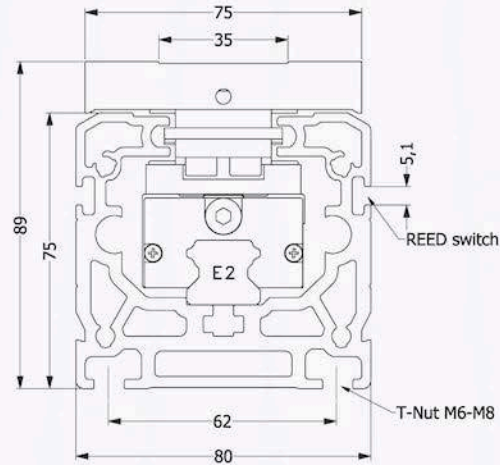
DIMENSIONS LT80-TR-S20D



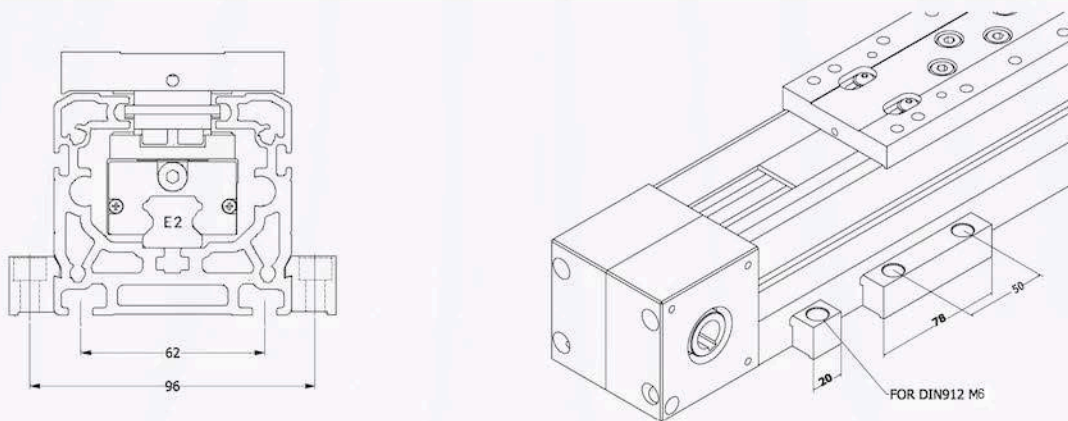
LT80 SERIES

DIMENSIONS

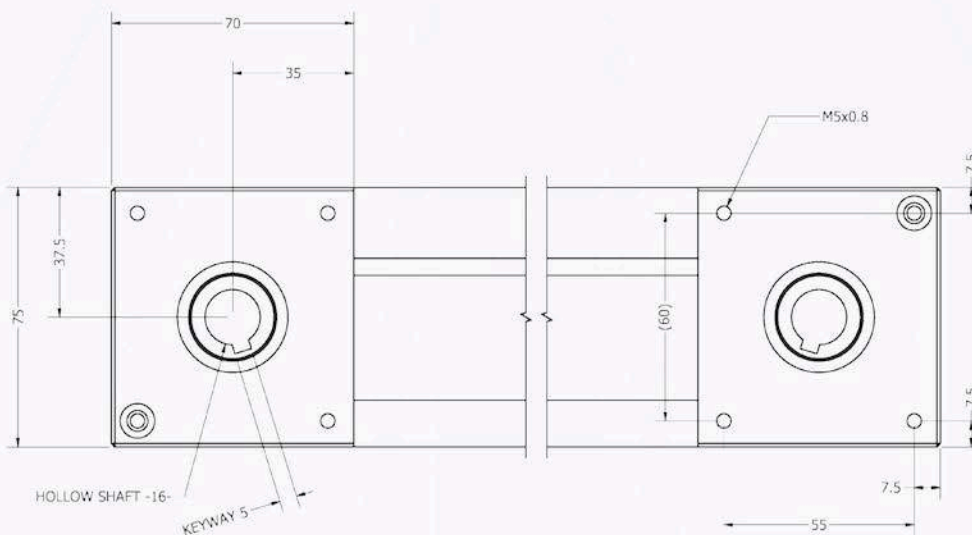
DIMENSIONS FOR MOUNTING



CLAMPING DIMENSIONS

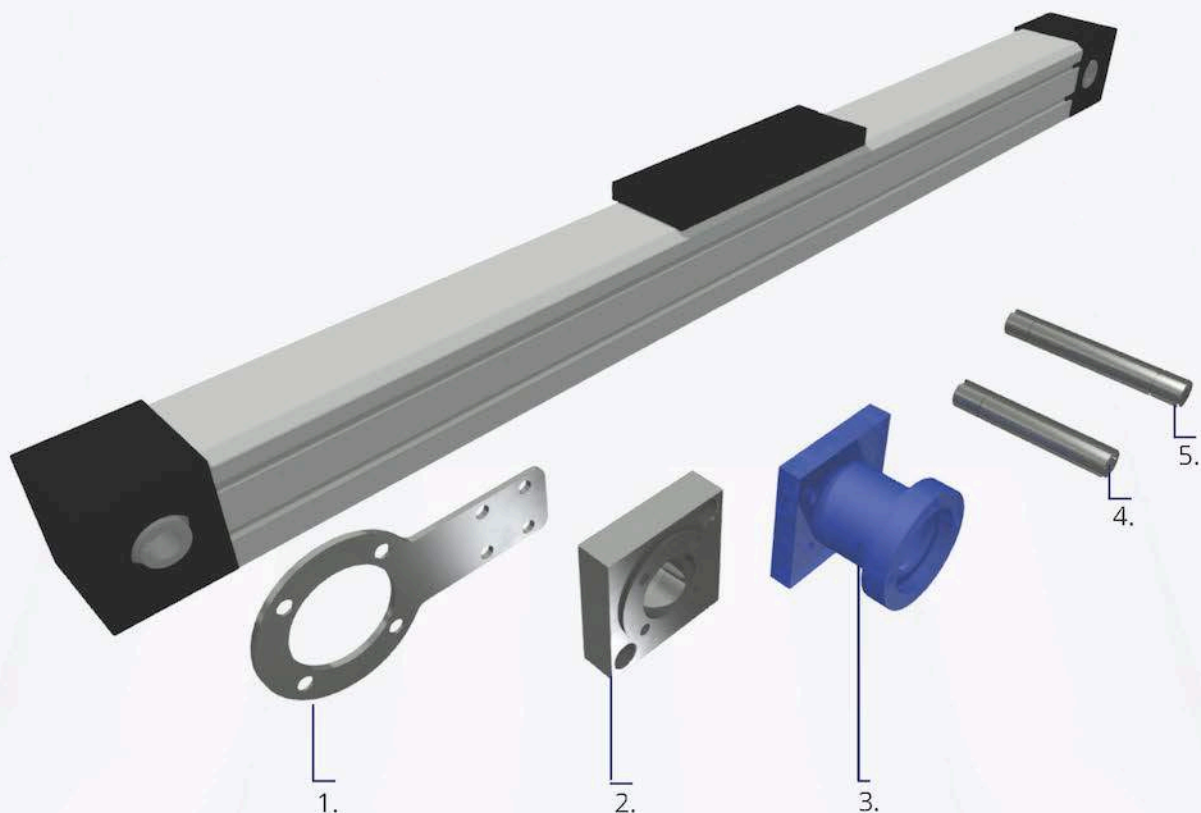


DIMENSIONS FOR MOTOR ATTACHEMENT



LT80-TR-S20D

MOTOR ACCESSORIES



| | | |
|---|-----------------|-------------------------------|
| 1 | 8070-RA-M-XXX | Motor adapter armtype |
| 2 | 8070-F-XXX | Motor Flange |
| 3 | 8070-FL-XXX | Motor adapter |
| 4 | 8070-SS-16-GS19 | Single shaft $\varnothing 16$ |
| 5 | 8070-DS-16-GS19 | Double shaft $\varnothing 16$ |

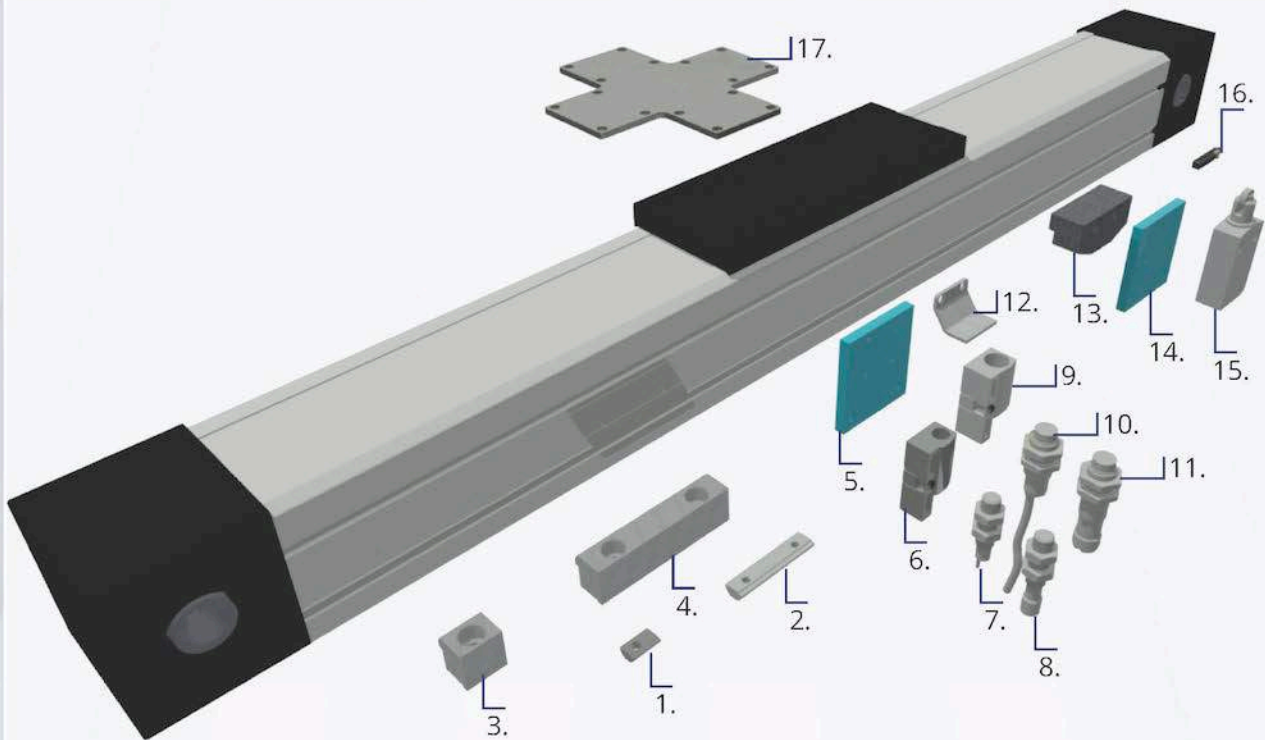
Almotion B.V. Nijverheidsweg 14 | 6662 NG Elst (Gld) | The Netherlands t +31 (0)85 0491 777 e info@almotion.nl

www.almotion.nl | www.linearmotion.nl | www.lineairegeleiding.nl

All drawings can be downloaded from www.linearmotion.nl

LT80-TR-S20D

ACCESSORIES



| | | |
|----|-------------|----------------------------|
| 1 | 111-036 | Single Nut M5 |
| 1 | 111-028 | Single Nut M6 |
| 1 | 111-029 | Single Nut M8 |
| 2 | 172-710 | Double Nut M8 L=26 |
| 2 | 172-711 | Double Nut M8 L=66 |
| 2 | 172-713 | Double Nut M6 L=40 |
| 2 | 172-714 | Double Nut M8 L=40 |
| 3 | 80121 | Clamping plate single |
| 4 | 80122 | Clamping plate double |
| 5 | 8070-SH-XS | Bracket for Telem. Bracket |
| 6 | XSZB108 | Bracket for M8 sensor |
| 7 | XS05B1PAL2 | M8 inductive sensor-cable |
| 8 | XS508B1PAM8 | M8 inductive sensor-M8 |
| 9 | XSZB112 | Bracket for M12 sensor |
| 10 | XS212b4pal | M12 inductive sensor-cable |
| 11 | XS212b4pbm | M12 inductive sensor-M8 |
| 12 | 8070-DB4-IN | Sensor bracket |
| 13 | 8070-SD-ME | Switch bracket |
| 14 | 8070-XCMD-B | Bracket for switch |
| 15 | XCMD2102L | Switch with roll |
| 16 | ASV1-C525 | Reed switch |
| 17 | 8070-XP-D | X-Cross-bracket |

Almotion B.V. Nijverheidsweg 14 | 6662 NG Elst (Gld) | The Netherlands t +31 (0)85 0491 777 e info@almotion.nl

www.almotion.nl | www.linearmotion.nl | www.lineairegeleiding.nl

All drawings can be downloaded from www.linearmotion.nl