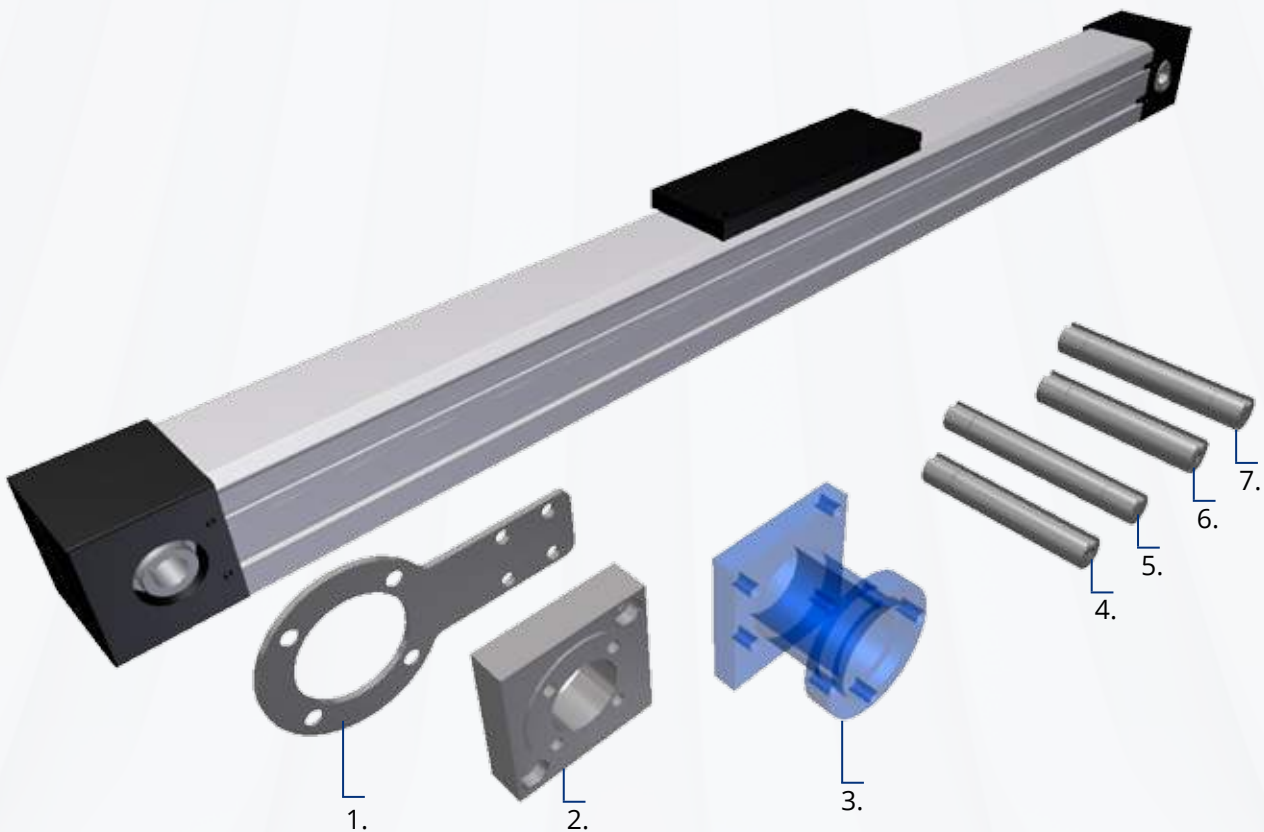


LT55

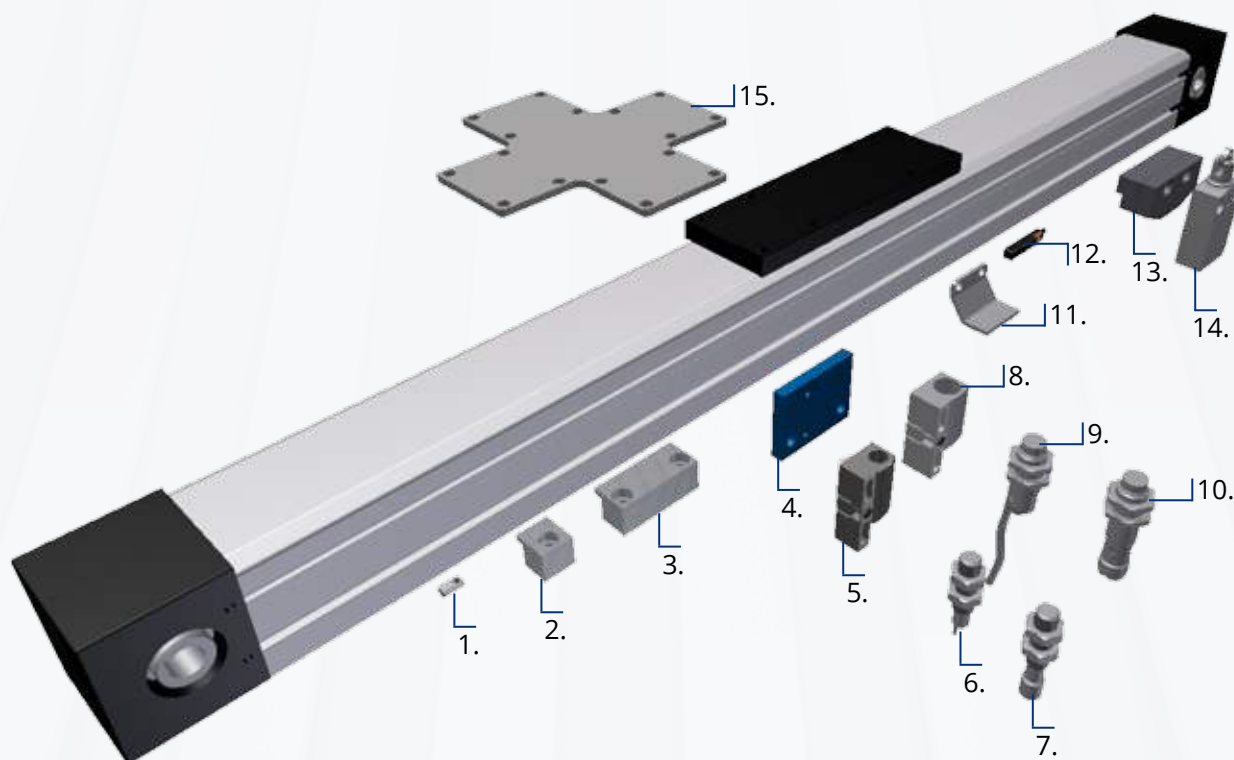
MOTOR ACCESSORIES



| | | |
|---|-----------------|-------------------------------|
| 1 | 5570-RA-M-XXX | Motor adaptor armtype |
| 2 | 5570-F-XXX | Motor Flange |
| 3 | 5570-FL-XXX | Motor adaptor |
| 4 | 5070-SS-12-GS14 | Single shaft \varnothing 12 |
| 5 | 5070-DS-12-GS14 | Double shaft \varnothing 12 |
| 6 | 5070-SS-14-GS14 | Single shaft \varnothing 14 |
| 7 | 5070-DS-14-GS14 | Double shaft \varnothing 14 |

LT55-TR-S15D

ACCESSORIES



| | | |
|----|--------------|----------------------------|
| 1 | 111-012 | Nut M5 |
| 2 | 55121 | Clamping plate single |
| 3 | 55122 | Clamping plate double |
| 4 | 5570-SH-XS | Bracket for Telem. bracket |
| 5 | XSZB108 | Bracket for M8 sensor |
| 6 | XS4p08pa340 | M8 inductive sensor-cable |
| 7 | XS4p08pa340s | M8 inductive sensor-M8 |
| 8 | XSZB112 | Bracket for M12 sensor |
| 9 | XS212b4pal | M12 inductive sensor-cable |
| 10 | XS212b4pbm | M12 inductive sensor-M8 |
| 11 | 5570-DB4-IN | Sensor Bracket |
| 12 | ASV1-C525 | Reed switch |
| 13 | 5570-SD-ME | Switch bracket |
| 14 | XCMD2102L | Switch with roll |
| 15 | 5570-XP-D | X-Cross-bracket |