

## LTY SERIES

Linear units with toothed belt drive and double rail guide system



- Basic extrusion profile 45 x 135 or 45 x 180 mm
- Rail Guide system size -20- with 3 or 4 LM blocks
- Very heavy load capacity
- Touthed belt type AT10, 16 or 25 mm wide

### Technical data

### LTY series

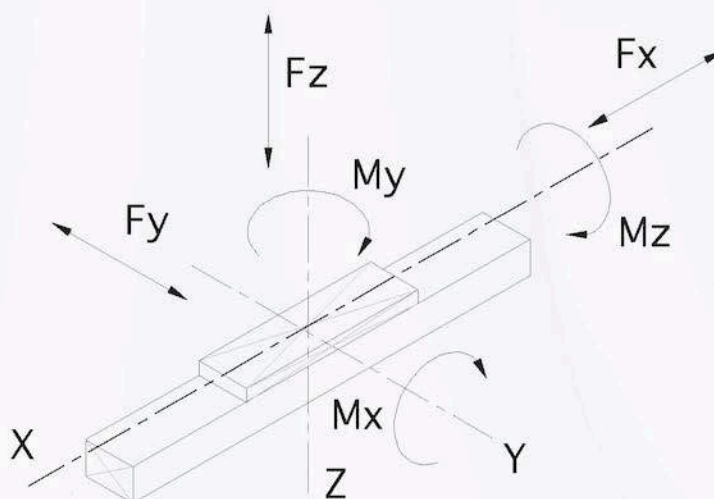
Maximum stroke length	mm	12.000
Maximum speed	mm/s	5.000
Maximum acceleration	m/s <sup>2</sup>	50
Repeatability	mm	± 0,1
Movement per revolution	mm	200

# LTY SERIES

## TECHNICAL DATA\*

LOAD CAPACITY		LTY135	LTY180
Mx	Nm	1.600	1.600
My	Nm	1.780	1.900
Mz	Nm	1.250	1.250
Fx	N	2.100	2.100
Fy	N	14.800	14.800
Fz	N	14.800	14.800

\*Please ask us for specific calculations of the guide system.



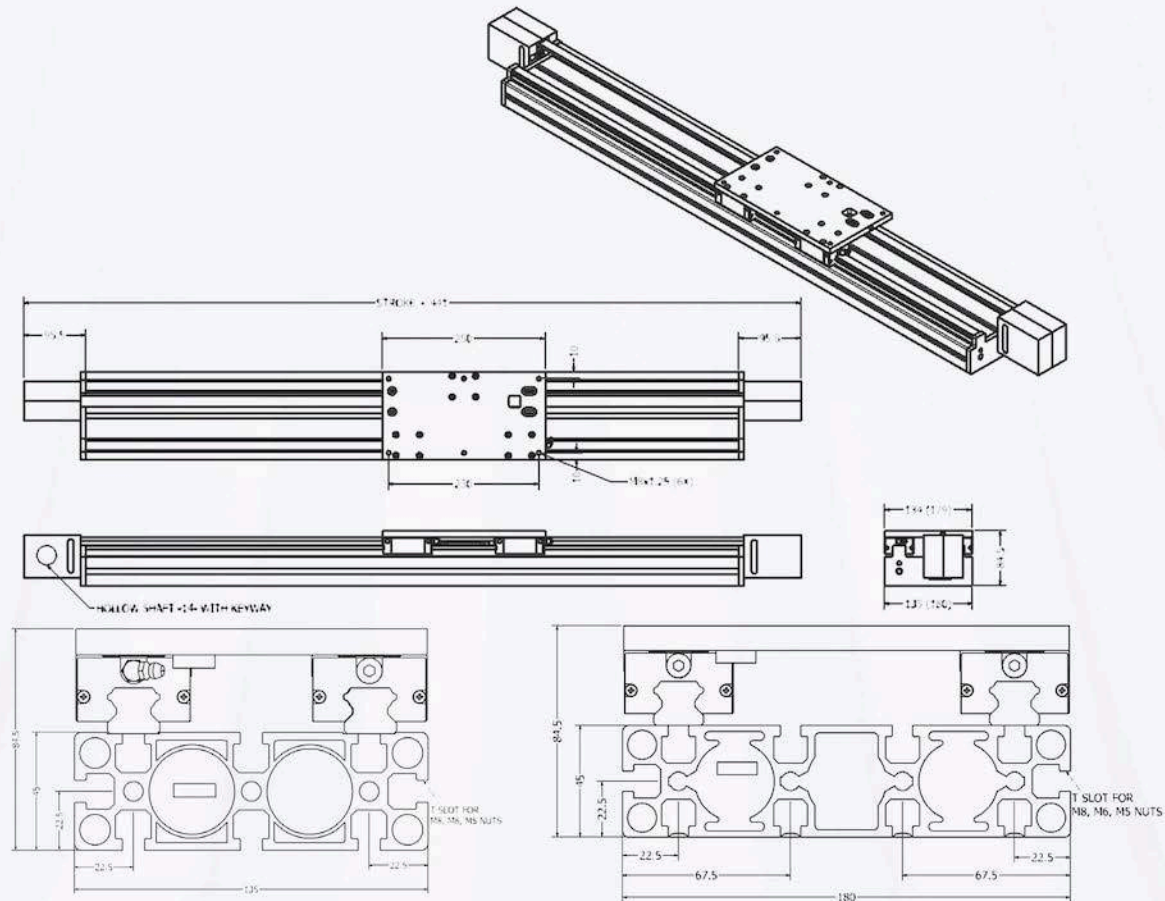
## WEIGHTS (KG)

	LTY135	LTY180
Unit weight 0 mm stroke	6,45	7,26
Weight per 100 mm stroke	1,05	1,23
Mass of carriage	0,90	1,20

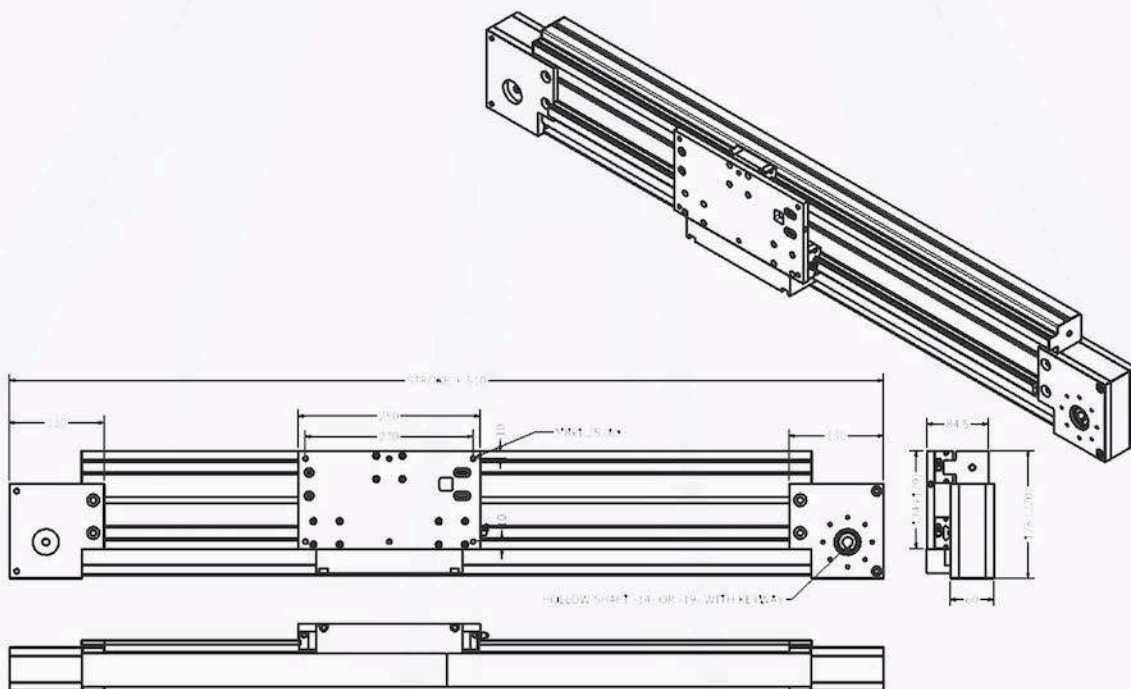
# LTY SERIES

## DIMENSIONS

### DIMENSIONS LTY135-180



### DIMENSIONS LTY135-180



Almotion B.V. Nijverheidsweg 14 | 6662 NG Elst (Gld) | The Netherlands t +31 (0)85 0491 777 e info@almotion.nl

www.almotion.nl | www.linearmotion.nl | www.lineairegeleiding.nl

All drawings can be downloaded from [www.linearmotion.nl](http://www.linearmotion.nl)