

linear units

"Control in motion"

LT50 SERIES

Robust linear units with
wheel- or rail guide



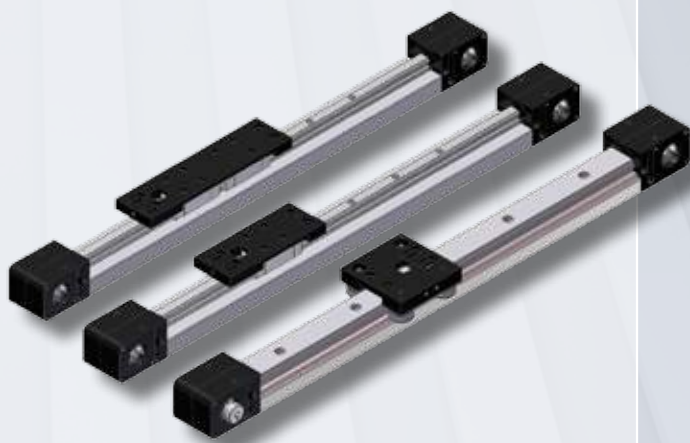
LINEAIRTECHNIEK®

by

ALMOTION®

LT50 SERIES

Robust linear units with wheel- or rail guide



- Compact design, the width of the profile 50 mm
- Guide system of hardened wheels on hardened shafts or rail guide, size -15-
- Double carriage design for high load
- G8 guide wheel system is very resistant to pollution
- Recirculating ball rail guide for heavy loads

TECHNICAL DATA

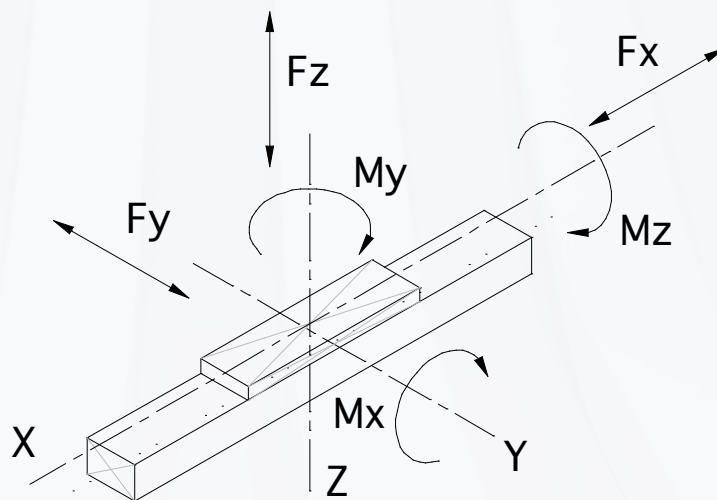
		LT50-TR-G8	LT50-TR-S15	LT50-TR-S15D
Maximum stroke	mm	5.900	5.800	5.730
Maximum speed	mm/s	5.000	3.000	3.000
Maximum acceleration	m/s ²	50	30	30
No load torque	Nm	0,2	0,6	0,9
Repeatability	mm	± 0,1	± 0,1	± 0,1
Movement per revolution	mm	100	100	100

LT50 SERIES

TECHNICAL DATA

LOAD CAPACITY		LT50-TR-G8	LT50-TR-S15	LT50-TR-S15D
Mx	Nm	11	14	106
My	Nm	11	14	106
Mz	Nm	8	20	40
Fx	N	1.000	1.000	1.000
Fy	N	980	1.700	3.400
Fz	N	850	1.800	3.600

Note: G8 wheel guide also available in stainless steel. S15D is with double carriage.



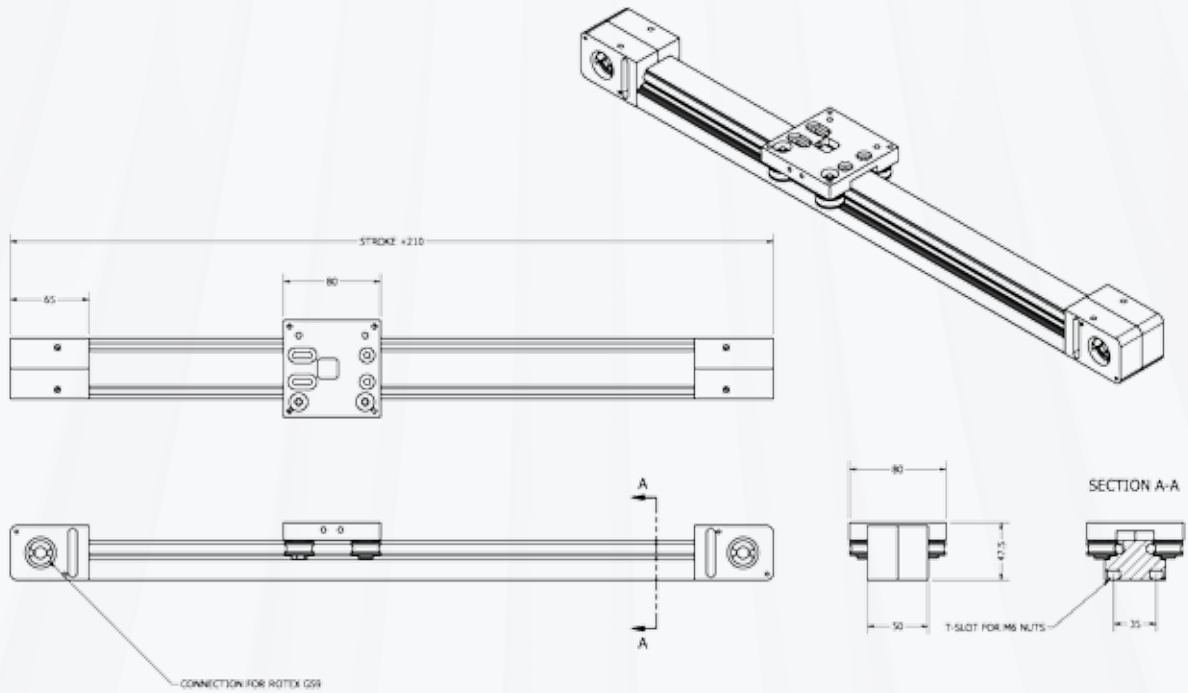
WEIGHTS (KG)

	LT50-TR-G8	LT50-TR-S15	LT50-TR-S15D
Unit weight 0 mm stroke	2,43	2,32	2,53
Weight per 100 mm stroke	0,28	0,28	0,28
Mass of carriage	0,33	0,31	0,53

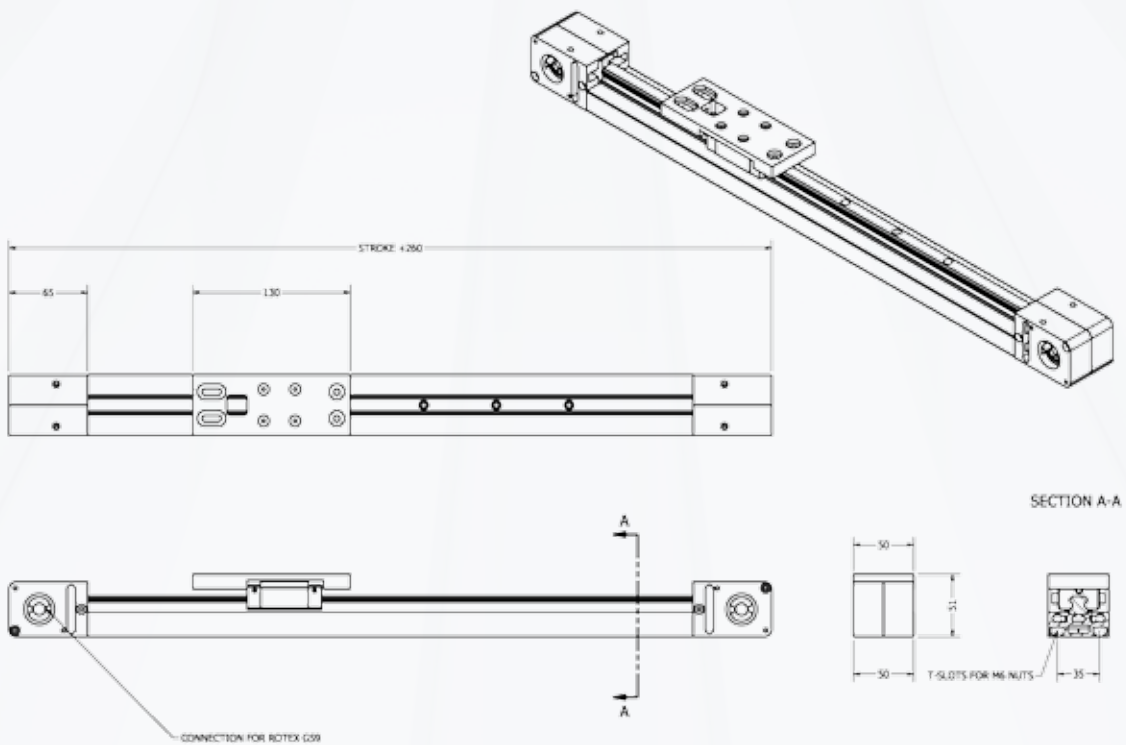
LT50 SERIES

DIMENSIONS

DIMENSIONS LT50-TR-G8



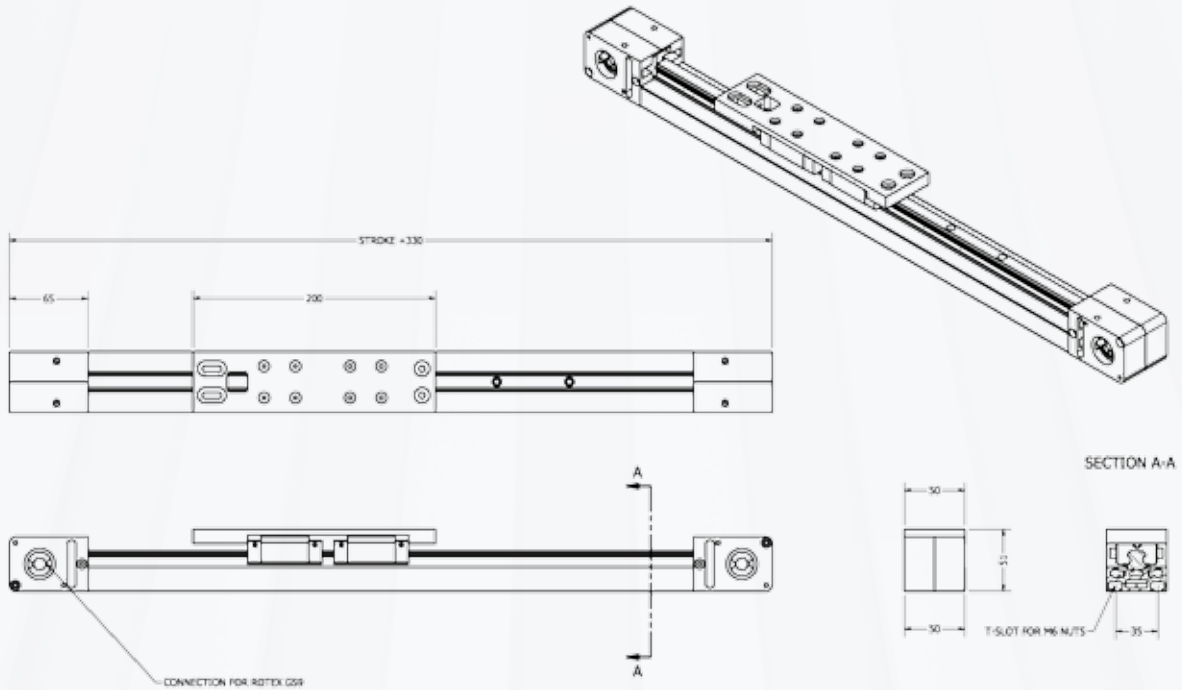
DIMENSIONS LT50-TR-S15



LT50 SERIES

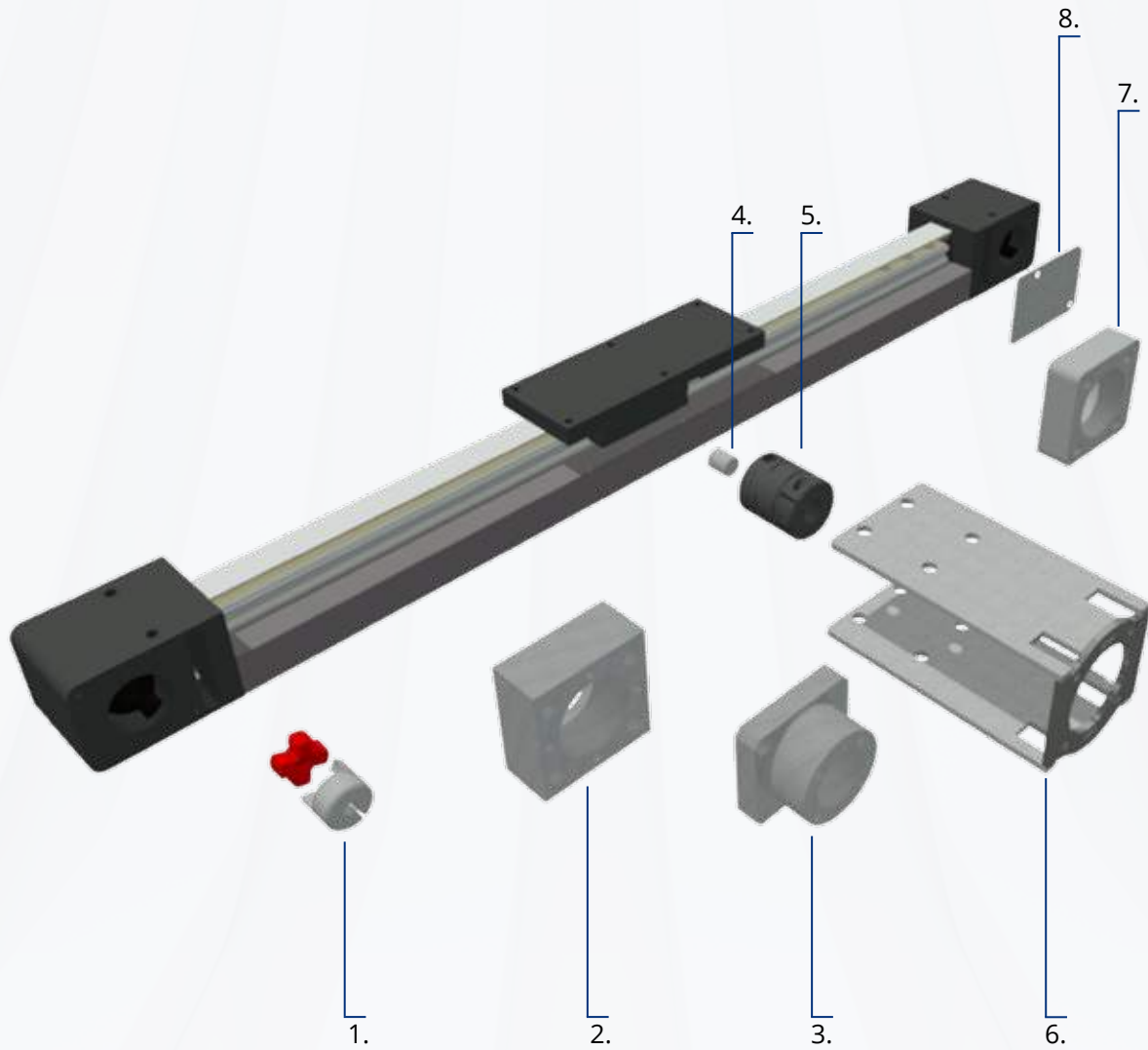
DIMENSIONS

DIMENSIONS LT50-S15-D



LT50

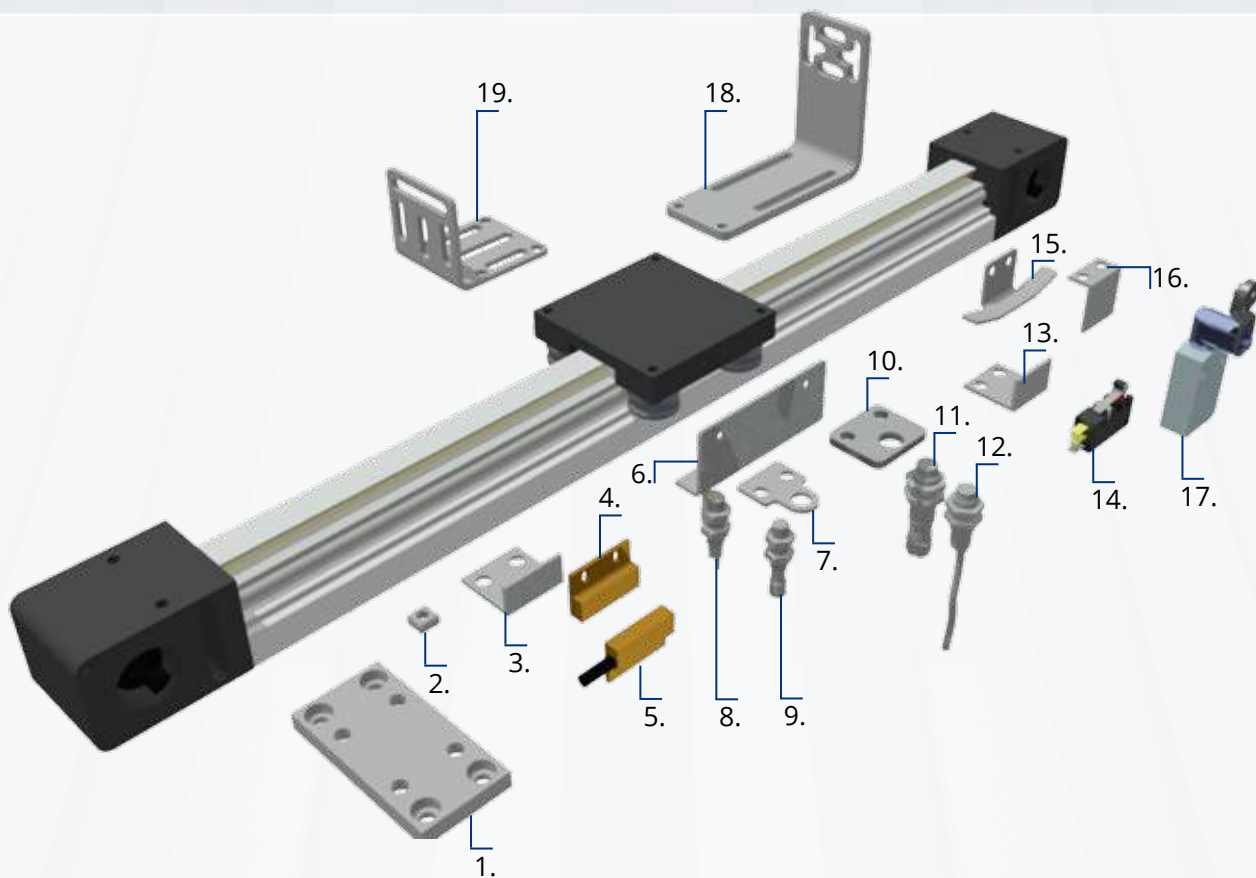
MOTOR ACCESSORIES



1	Rotex GS9-9/12	Flexible shaft coupling
2	5070-F-XXX	Motor adaptor
3	5070-FL-XXX	Motor adaptor
4	5070-AS10	Interface shaft
5	Rotex GS14-10-14	Flexible shaft coupling
6	5070-F9/14-XXX	Adaptor for motor shaft 14
7	5070-FL-NEMA23	Motor adapter
8	5070-BP	Blank coverplate-ss

LT50-TR-G8

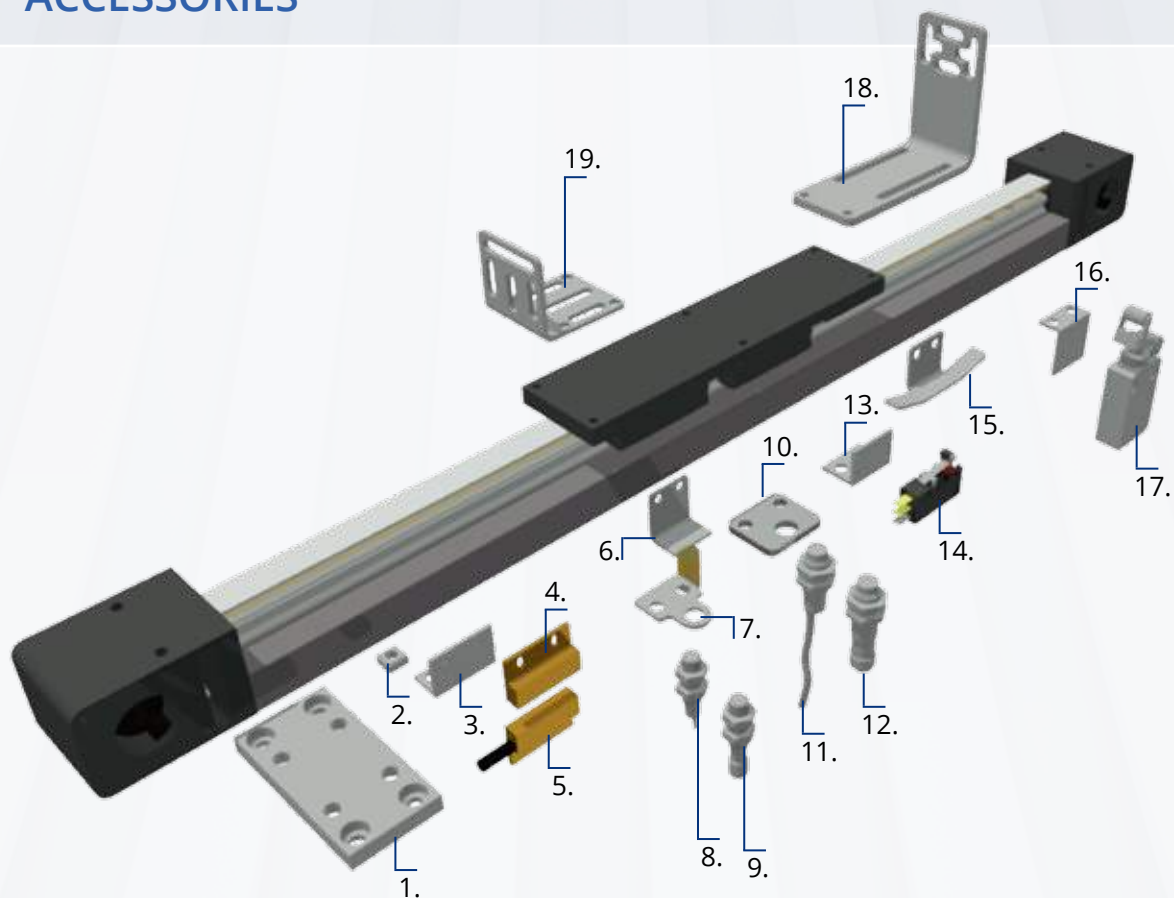
ACCESSORIES



1	5070-MP-W	Mounting bracket
2	50.1330	Square nut M5
3	5070-GM-MAG	Bracket for magnetic sensor
4	1368	Magnet
5	289 Sensor	Reed switch
6	5070-DG-IN	Sensor bracket inductive
7	5070-SG-XS8	Bracket for M8 sensor
8	XS4p08pa340	M8 inductive sensor-cable
9	XS4p08pa340s	M8 inductive sensor-M8
10	7070-SG-XS12	Bracket for M12 sensor
11	XS212b4pbm	M12 inductive sensor-M8
12	XS212b4pal	M12 inductive sensor-cable
13	5070-GM-SH	Bracket for switch
14	SPDT-V3-	Omron switch
15	5070-SD-ME	Bracket for Roll switch
16	5070-SG-SH	Bracket for switch
17	XCMD2117L1	Mechanical switch Roll
18	5070-BB-L	Bracket for endcap mounting
19	5070-HS-50	Bracket for carriage

LT50-TR-S15(D)

ACCESSORIES



1	5070-MP-W	Mounting bracket
2	50.1330	Square nut M5
3	5070-GM-MAG	Bracket for magnetic sensor
4	1368	Magnet
5	289 Sensor	Reed switch
6	5070-DG-IN	Sensor bracket inductive
7	5070-SG-XS8	Bracket for M8 sensor
8	XS4p08pa340	M8 inductive sensor-cable
9	XS4p08pa340s	M8 inductive sensor-M8
10	7070-SG-XS12	Bracket for M12 sensor
11	XS212b4pbm	M12 inductive sensor-M8
12	XS212b4pal	M12 inductive sensor-cable
13	5070-GM-SH	Bracket for switch
14	SPDT-V3-	Omron switch
15	5070-SD-ME	Bracket for Roll switch
16	5070-SG-SH	Bracket for switch
17	XCMD2117L1	Mechanical switch Roll
18	5070-BB-L	Bracket for endcap mounting
19	5070-HS-50	Bracket for carriage

Worldwide support for linear units.
Please contact us for your local
technical assistant.



LINEAIRTECHNIEK® by **ALMOTION**®

ISO 16016:2000

Technical product documentation - Protection notices for restricting the use of documents and products.

Almotion bv

Nijverheidsweg 14
6662 NG ELST (Gld.)
The Netherlands

T: 0031 488 480 858

F: 0031 488 481 165

E: info@almotion.nl

I : www.almotion.nl

I : www.lineair.nl

I : www.lineairegeleiding.nl